

Features

- Sleek, handheld remote control with two programmable user presets
- Front and rear wash modes provide warm water for cleansing
- Three-level adjustable nozzle position, water temperature, and water pressure
- Bidet wand rotates to deliver three personal cleansing spray modes; stream, mist, and air mist
- Stainless steel wand is automatically cleaned before and after each use
- 3D wash feature oscillates spray back-and-forth and side-to-side
- Spa Spray mode activates air mist spray while automatically changing water temperature for a comfortable spray
- Boost spray automatically adjusts rear spray mode to highest pressure
- Child mode with soft, gentle wash provides a safe experience
- Heated seat with adjustable temperature settings
- Warm-air drying system with adjustable temperature settings
- Automatic deodorization with carbon filter for odor control
- Power-save mode monitors usage and adjusts heated seat settings to save energy
- Quiet-Close™ functionality to prevent seat from slamming
- Grip-Tight bumpers hold seat firmly in place
- Quick-Release™ functionality allows seat to be removed easily from toilet for convenient cleaning
- Fits most elongated toilets

Material

- Plastic construction

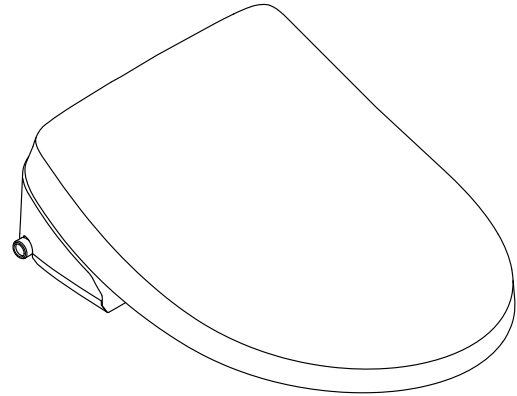
Installation

- Requires connection to toilet water supply line. All hoses and connections are included
- Requires dedicated electrical GFCI circuit (120V, 15A, 60Hz)

Included Components

Additional Components:

- AAA Batteries (Qty 3)
- Remote
- Seat mounting bracket
- Supply hose
- T-Valve



Codes/Standards

UL 1431
CSA C22.2 No. 64
CSA C22.2 No. 68

KOHLER® Intelligent Toilet and C³™ Cleansing Seat Three-Year Limited Warranty

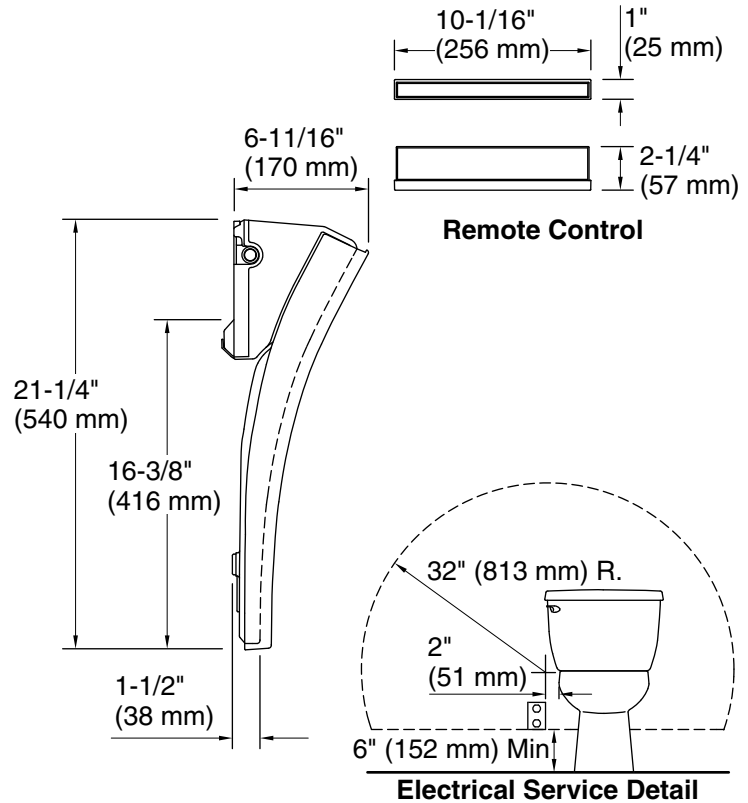
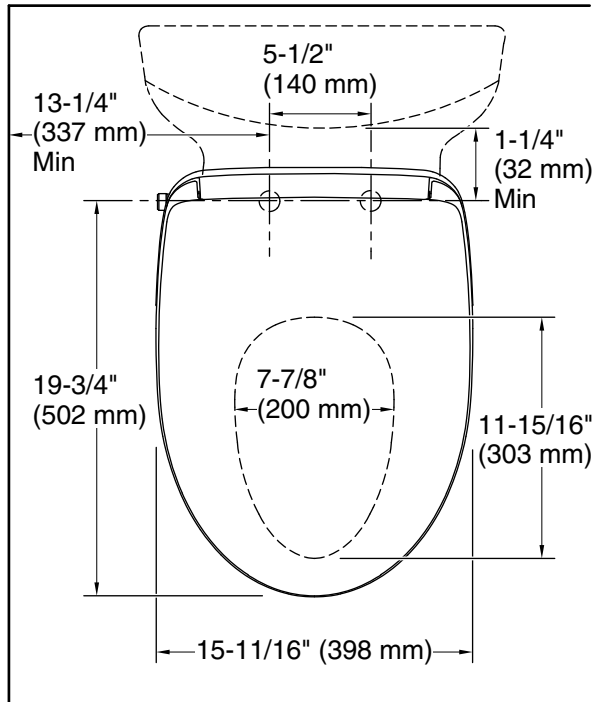
See website for detailed warranty information.

Available Colors/Finishes

Color tiles intended for reference only.

Color	Code	Description
-------	------	-------------

	0	White
---	---	-------



Required Electrical Service

One dedicated circuit required, protected with Class A Ground-Fault Circuit-Interrupter (GFCI). Outside North America, this device may be known as a Residual Current Device (RCD).

Bidet toilet seat: 120 V, 15 A, 60 Hz

Technical Information

All product dimensions are nominal.

Seat shape type: Elongated
 Seat front type: Closed-front
 Seat-mounting holes: 5-1/2" (140 mm)
 Electrical component rating: Bidet toilet seat: 120 V, 15 A, 60 Hz, 1450 W
 Power cord length: 51" (1295 mm)

Notes

Install this product according to the installation guide.

To avoid possible product malfunction, do not plug in the seat until instructed to do so.

CAUTION: Risk of property damage. A single extension cord may be used provided the cord "Type" begins with "SJ", 12 gauge, grounded (12/3), no longer than 25 feet, and plugged into a GFCI outlet. Promptly replace any extension cord that exhibits any sign of damage.

Connect the seat to a cold water supply of drinking quality water at a pressure of 20 psi - 80 psi (139 kPa - 551 kPa).

Do not install this seat in a location where: (1) water might be splashed on the product or (2) excessive moisture, high humidity levels, or condensation is present. This will avoid damage to the electronic components.